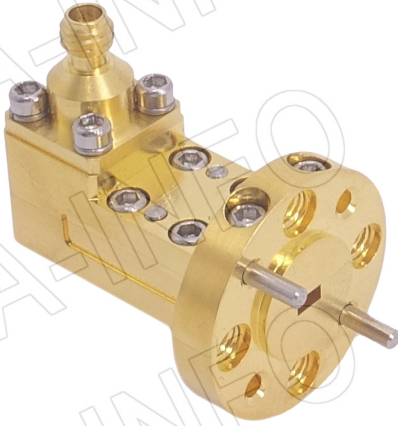


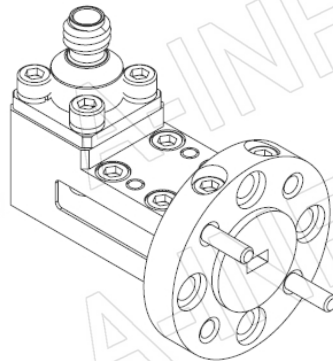
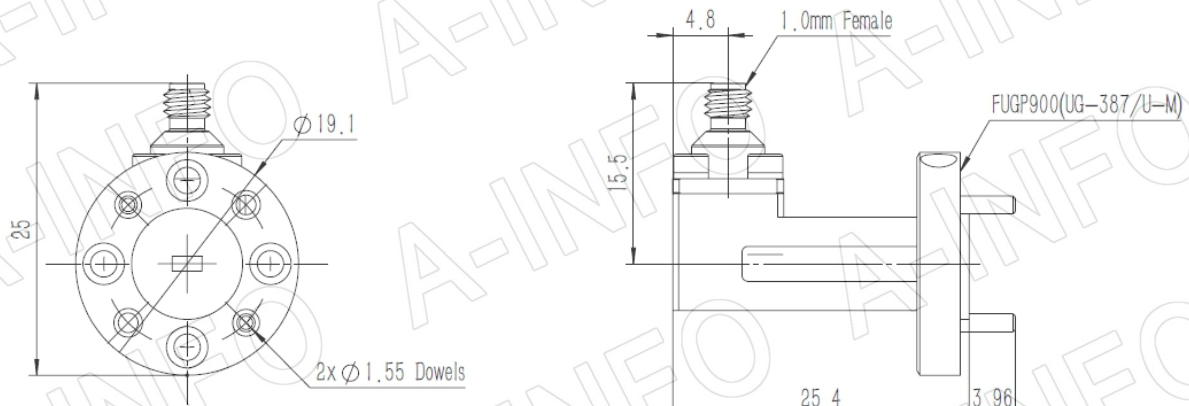
For reference only. See data sheet for the detailed specifications.

Technical Specification



EIA WR	WR10
Frequency Range(GHz)	75.0 - 110.0
Insertion Loss(dB)	1.2 Max.
VSWR	1.60:1 Max.
Flange	FUGP900(UG-387/U-M)
Connector	1.0mm-Female
Average Power(W CW)	3 Max.
Peak Power(W)	5
Material	Cu
Finish	Gold Plated
Size(mm)	25.4 x 19.1 x 25
Net Weight(Kg)	0.02 Around

Outline Drawing (Size: mm)



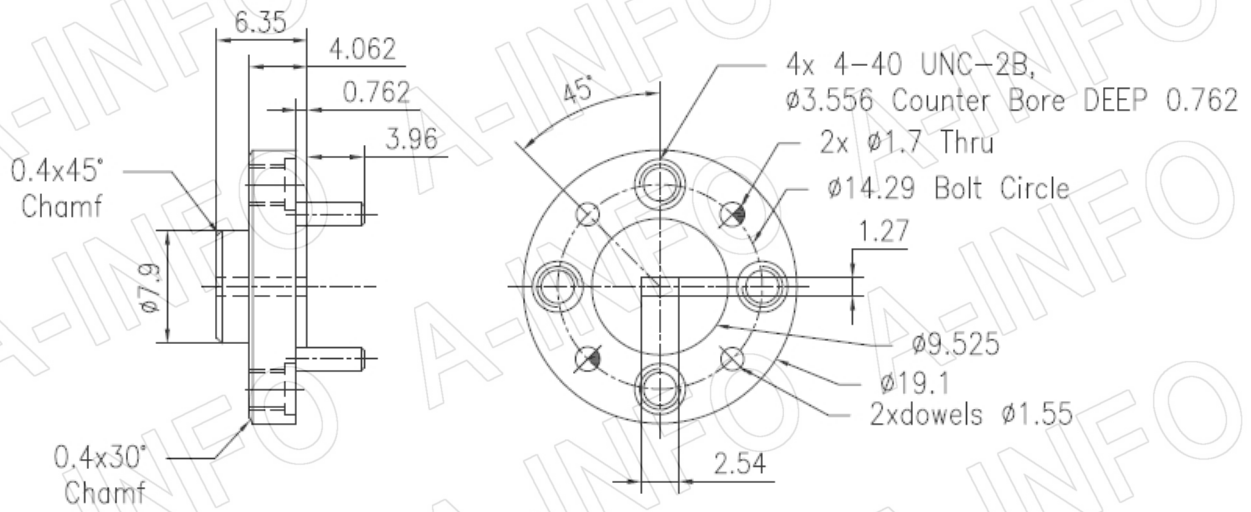
AINFO Inc.

China(Beijing): Tel: (+86) 10-6266-7326,
China(Chengdu): Tel: (+86) 28-8519-2786,
USA : Tel: (+1) 949-639-9688,

(+86) 10-6266-7327 Fax: (+86) 10-6266-7379
(+86) 28-8519-3044 Fax: (+86) 28-8519-3068
(+1) 949-639-9608 Fax: (+1) 949-639-9670

Website: www.ainfoinc.com
Email: sales@ainfoinc.com

Flange Drawing (Size: mm)

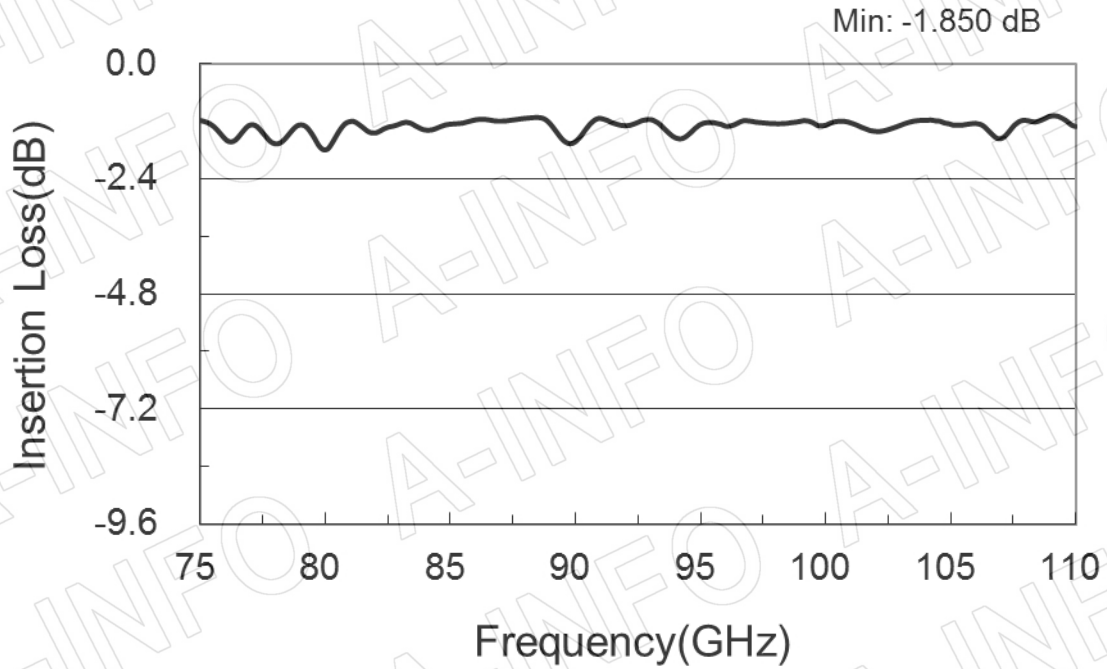


FUGP900

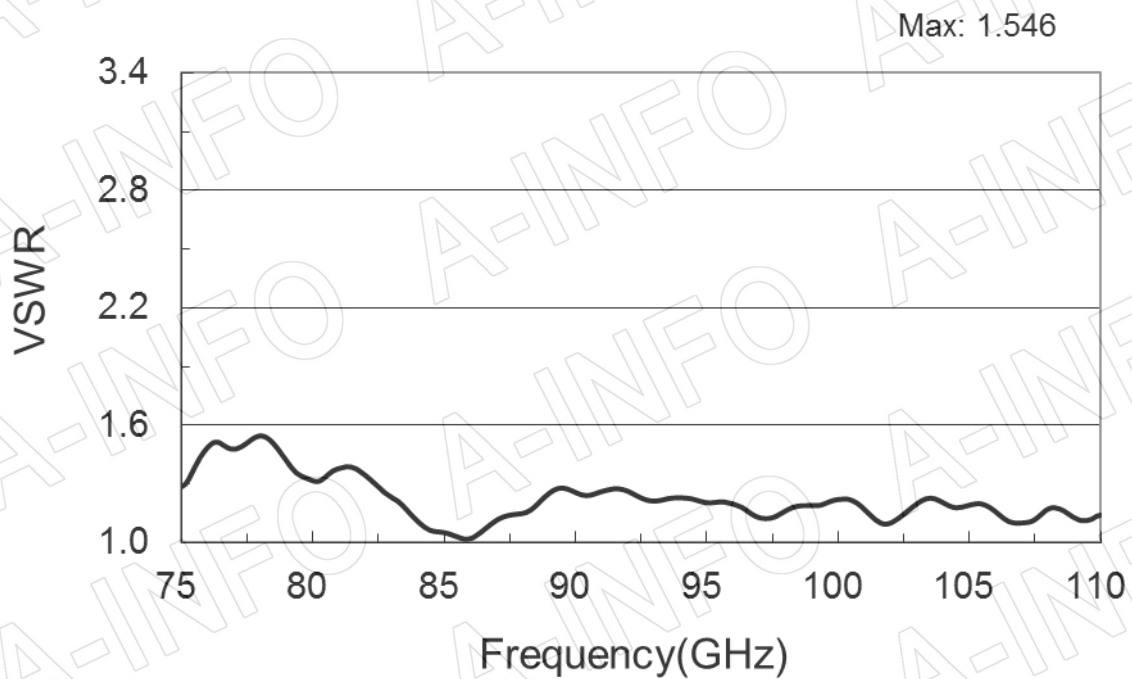
(equivalent to UG-387/U-M)

Test results

I.L. (Test with two adapters back to back)



VSWR



AINFO Inc.

China(Beijing): Tel: (+86) 10-6266-7326,
China(Chengdu): Tel: (+86) 28-8519-2786,
USA : Tel: (+1) 949-639-9688,

Page 3 of 3

(+86) 10-6266-7327 Fax: (+86) 10-6266-7379
(+86) 28-8519-3044 Fax: (+86) 28-8519-3068
(+1) 949-639-9608 Fax: (+1) 949-639-9670

Website: www.ainfoinc.com
Email: sales@ainfoinc.com